

Series
E60/E120/E240



UL CE Ex ICS MSHA United States Department of Labor Mine Safety and Health Administration IECEx IP68

**Cost Effective, Intrinsically Safe, More Reliable
against Temperature Variations.**



Pulsarlube **E**

Features & Advantages

Reliable

Less dispensing variation against ambient temperature differences due to inert Nitrogen gas generation

Economical

Provides a low cost lubrication solution without compromising performance

Eco-Friendly

Eco-friendly product, where applicable parts can be disposed of separately

Intrinsic Safety

- ▶ ATEX : II 1 G / Ex ia IIC T4 Ga ▶ UL : Cl. I, Div.1, Gps A, B, C, D ; Cl. II, Div.1, Gps E, F, G
- ▶ IECEx : Ex ia IIC T4 Ga ▶ KCs : Ex ia IIC T4 ▶ MSHA : Approval No. 18-A180003-0

Trouble-free Operation & Installation

- ▶ Various dispensing settings & grease pouch volumes to suit a wide range of industrial applications
- ▶ Easy to adjust dispensing periods, even while in operation
- ▶ Easy to install in hazardous & confined areas

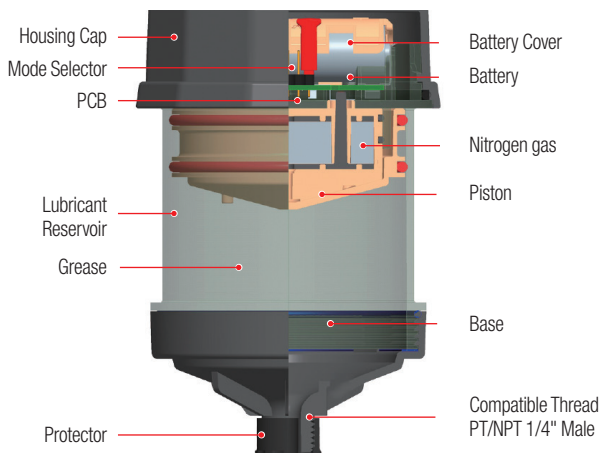
Typical Industries and Applications



- Automotive Plants
- Motors & pumps
- Petrochemical plants
- Paper mills, steel mills, cement plants where water & excessive contaminants exist
- Electronics industries in need of small amounts of lubricant (60ml)

Overview

Product Specifications



Grease Pouch Capacity

60ml / 120ml / 240ml (disposable)

Operating Method

Nitrogen (N₂) gas

Operating Pressure

Max. 5bar (73psi)

Operating Temperature

-20°C ~ 55°C (-4°F ~ 131°F)

Dispensing Periods

1, 3, 6, 9, 12 month

Single Point Remote Installation

Max. 1m (3.3ft) with Ø8 tube

Multi-Point Installation

N/A

Product Certifications & IP Code

ATEX / UL / IECEx / KCs / CE / MSHA / IP68